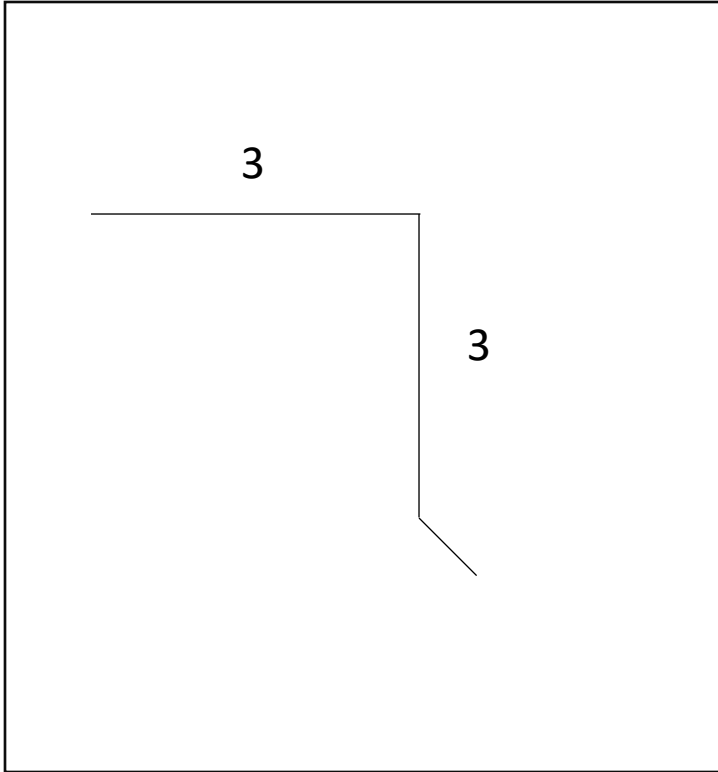
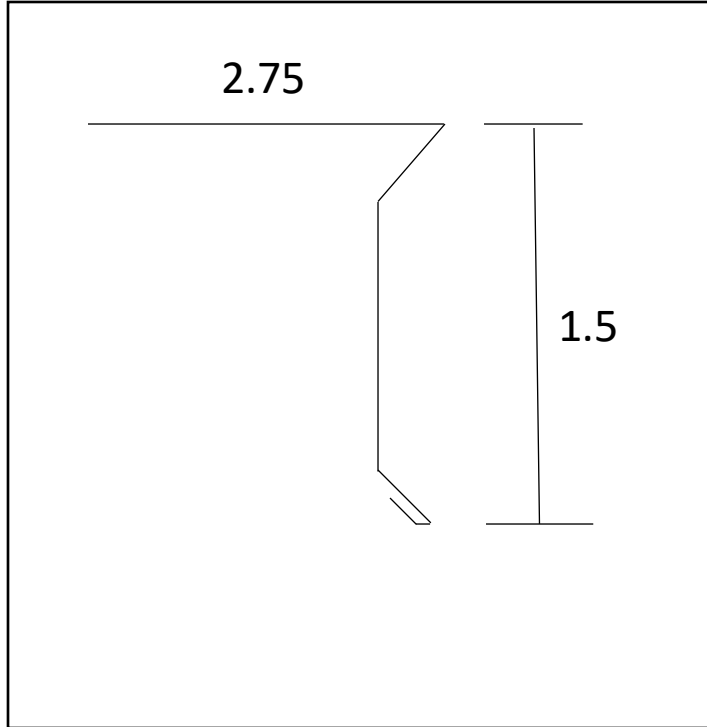


Roof Edge



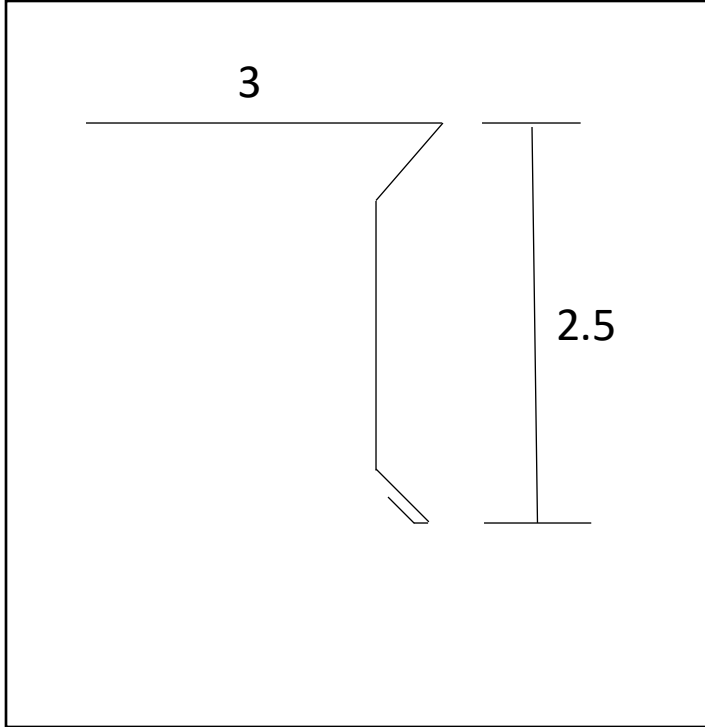
Material	Gauge	Color	Length	Part #	Units Per Box	Units Per Pallet
Steel	26 ga	Polar White	10'	RE	25	30 Boxes
Steel	26 ga	Black	10'	RE	25	30 Boxes
Steel	26 ga	Galv.	10'	RE	25	30 Boxes
Steel	26 ga	Koko Brown	10'	RE	25	30 Boxes

Eave Drip (1.5" Face)



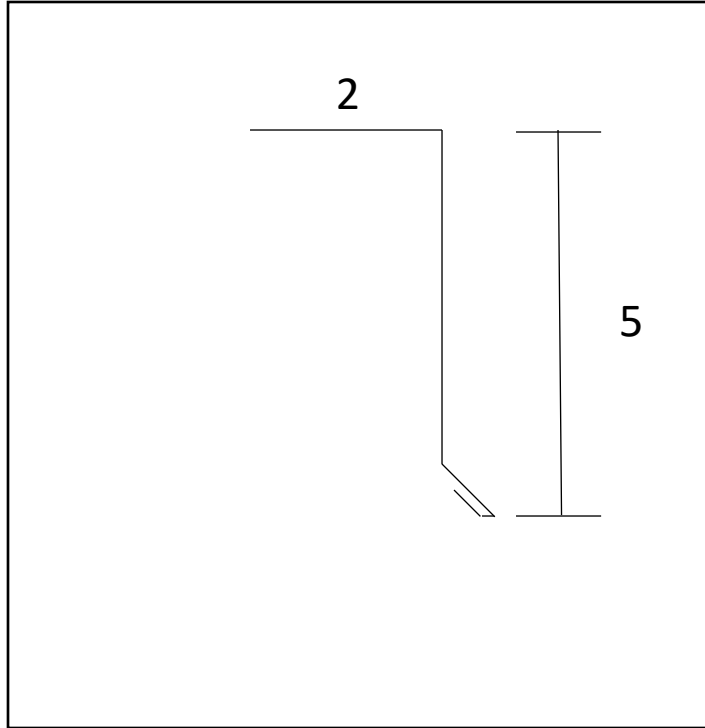
Material	Gauge	Color	Length	Part #	Units Per Box	Units Per Pallet
Steel	26 ga	Polar White	10'	DE 1.5	25	30 Boxes
Steel	26 ga	Black	10'	DE 1.5	25	30 Boxes
Steel	26 ga	Galv.	10'	DE 1.5	25	30 Boxes
Steel	26 ga	Koko Brown	10'	DE 1.5	25	30 Boxes

Eave Drip (2.5" Face)



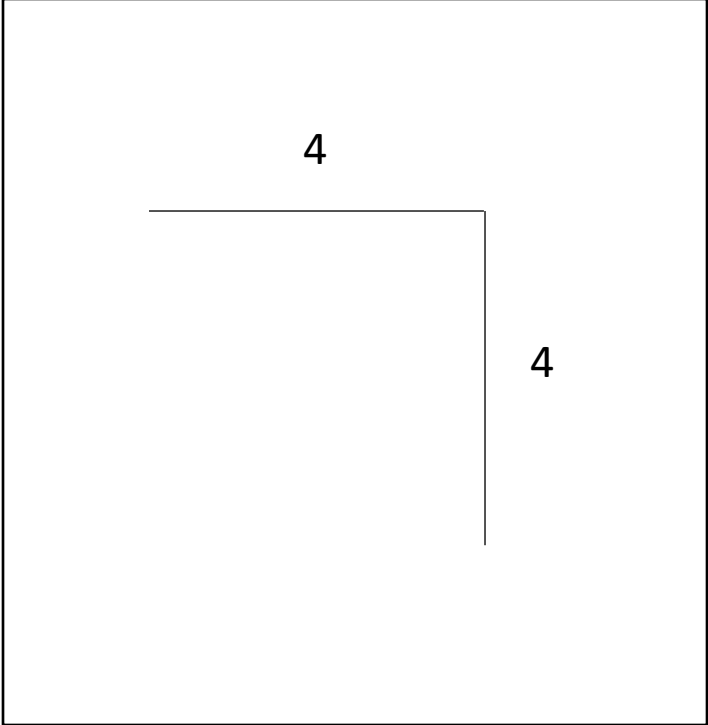
Material	Gauge	Color	Length	Part #	Units Per Box	Units Per Pallet
Steel	26 ga	Polar White	10'	DE 2.5	25	30 Boxes
Steel	26 ga	Black	10'	DE 2.5	25	30 Boxes
Steel	26 ga	Galv.	10'	DE 2.5	25	30 Boxes
Steel	26 ga	Koko Brown	10'	DE 2.5	25	30 Boxes

Eave (5" Face)



Material	Gauge	Color	Length	Part #	Units Per Box	Units Per Pallet
Steel	26 ga	Polar White	10'	E5	25	30 Boxes
Steel	26 ga	Black	10'	E5	25	30 Boxes
Steel	26 ga	Galv.	10'	E5	25	30 Boxes
Steel	26 ga	Koko Brown	10'	E5	25	30 Boxes

Flashing (4x4)



Material	Gauge	Color	Length	Part #	Units Per Box	Units Per Pallet
Steel	26 ga	Polar White	10'	FL44	25	30 Boxes
Steel	26 ga	Black	10'	FL44	25	30 Boxes
Steel	26 ga	Galv.	10'	FL44	25	30 Boxes
Steel	26 ga	Koko Brown	10'	FL44	25	30 Boxes